



# CHICAGO BRICK OVEN

Product Guide | 2010





## Mario Batali™ Wood Burning Brick Ovens

Today, cooking enthusiasts want a full outdoor living experience. These brick ovens are the centerpiece for creating wood-fired pizzas and much more! It's the showpiece and gathering place for friends and family to savor meals prepared to their flavorful best. *Enjoy!*



Mario Batali™ Etna 1 Series  
Etna 1 CBO-500 Oven  
Etna 1 Grande CBO-750 Oven

Mario Batali™ Etna 2 Series  
Etna 1 CBO-500 Oven + Brick Base



Mario Batali™ Amici Series  
Amici CBO-500 Oven + Cart  
Amici Grande CBO-750 Oven + Cart

Mario Batali™ Vesuvio Series  
CBO-500 Bundle + Harmony Brick Housing  
CBO-750 Bundle + Harmony Brick Housing



## Chicago Brick Oven— Fire Up the Good Life!

Our wood-fired brick ovens combine classic design with a proprietary manufacturing system that takes outdoor living and entertaining to a whole new level. We deliver the good life to your customers and help them *fire it up.*



CBO-500 Bundle  
3-piece oven (Dome, Hearth, Arch, Decorative Door, Flue Adaptor) Install Kit (Insulating Board, Insulating Blanket, Mortar) Cooking Kit (Pizza Peel, Brush)



CBO-750 Bundle  
3-piece oven (Dome, Hearth, Arch, Decorative Door, Flue Adaptor Ring) Install Kit (Insulating Board, Insulating Blanket, Mortar) Cooking Kit (Insulating Door, Pizza Peel, Brush)



Etna Milano  
CBO-500 Oven + Base with Wood Storage  
CBO-750 Oven + Base with Wood Storage



Etna Milano  
CBO-500 Oven + Base with Drawer and Wood Storage  
CBO-750 Oven + Base with Drawer and Wood Storage



Clasique Grande  
CBO-750 Oven



Etna Milano Island  
CBO-500 Oven + Base with Drawer and Wood Storage  
CBO-750 Oven + Base with Drawer and Wood Storage

## Built right—right here at home

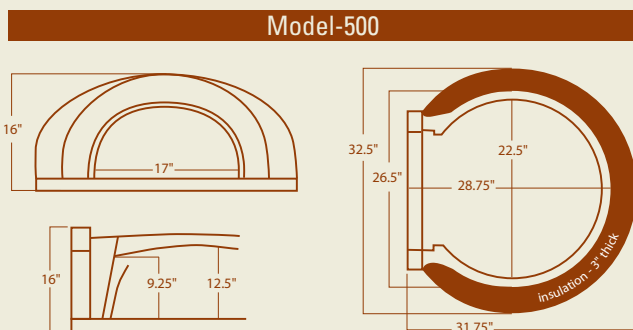
Our ovens are made in the USA, not imported like most residential ovens sold in this country.

## Styled for any taste

All Chicago Brick Oven ovens are low-weight, easy to install and have been adapted to fit today's relaxed outdoor lifestyle.

Available in three design options, our ovens fit beautifully into a variety of landscape designs and styles. That gives homeowners, caterers and landscape professionals incredible flexibility to create unique outdoor kitchen settings and unforgettable dining experiences for their family, friends and clients.

## Specifications



**Model-500 Dimensions**  
16" high; 31.75" long; 32.5" wide

**Model-500 Cooking Surface**  
29" x 23"

**Model-500 Weight**  
300 lbs.

**Parts**  
Hearth, arch, dome

**Accessories**  
Decorative exterior door, insulation door, insulation kit, flue connector, pizza peel, wire brush

## CBO Oven Features

### Quality Construction

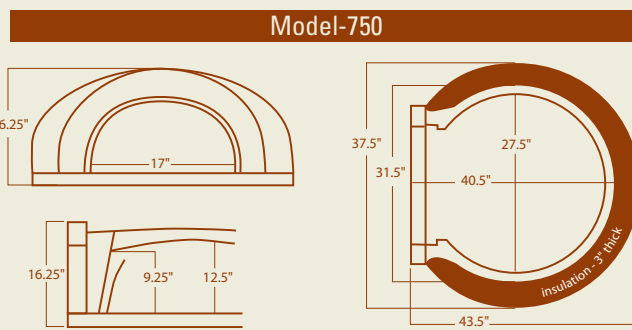
Superior engineering/design and high-strength, cast-refractory materials reinforced with stainless steel fibers ensure peak operating performance and results.

### Made in the USA

"Made in the USA" means avoiding the time, hassles, worry and costs typically encountered with imported wood-fired brick ovens.

### Design Flexibility

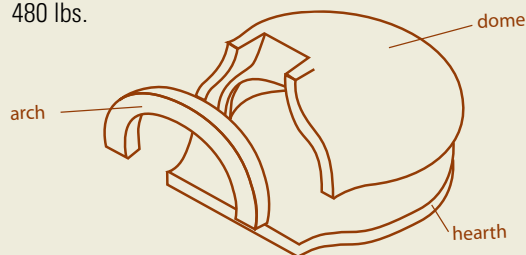
Custom, predesigned and mobile models meet a variety of cooking, entertaining, design and space requirements.



**Model-750 Dimensions**  
16.25" high; 43.5" long; 37.5" wide

**Model-750 Cooking Surface**  
41" x 28"

**Model-750 Weight**  
480 lbs.



## Come on Out— we've been expecting you

Visit us at [chicagobrickoven.com](http://chicagobrickoven.com) to explore the ultimate in outdoor cooking and entertaining with a wood-fired oven from Chicago Brick Oven.



**CHICAGO BRICK OVEN**

[chicagobrickoven.com](http://chicagobrickoven.com)  
[info@chicagobrickoven.com](mailto:info@chicagobrickoven.com)  
630.359.4793